

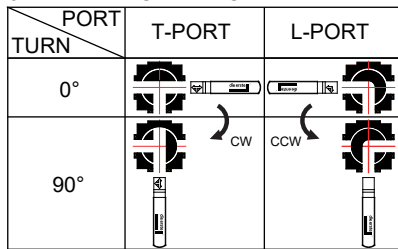
DIRECT MOUNT 3-WAY FULL/STANDARD PORT BALL VALVE Model Series M5(a)

SIL 3 Capable

- Body Material**
ASTM CF8M, DIN 1.4408
- Size Range**
1/4" - 2" (DN8~DN50)
- Pressure Rating**
1000 PSI, DIN PN63
- End Connection**
Threaded dimensions of NPT acc. to ASME B1.20.1
Threaded dimensions of BSPP acc. to BS EN ISO 228-1
Threaded dimensions of BSPT acc. to BS EN ISO 10226-1/ISO 7-1
- Temperature Range**
-4°F to 350°F (-20°C to 180°C) with PTFE seats

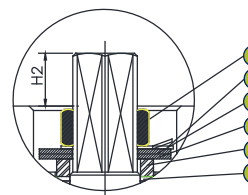
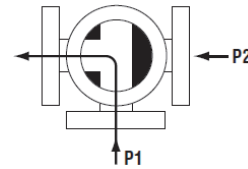


3-WAY DEFAULT SETUP



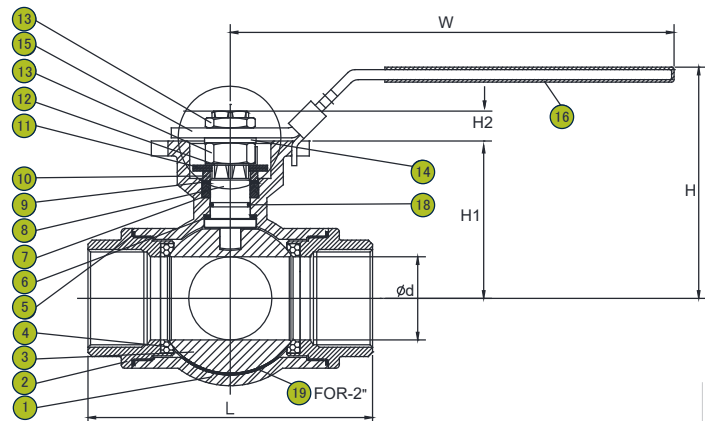
Application Limitation

Referring to below diagram, there is a limitation to the differential pressure between flow P2 and P1. Where $P2 > P1$, leakage from P2 to P1 could occur. The same logic follows for other L/T flow patterns.



Materials List:

NO.	PART NAME	MATERIAL
1	BODY	CF8M
2	CAP	CF8M
3	BALL	CF8M
4	BALL SEAT	PTFE / RTFE
5	BODY SEAL	PTFE
6	THRUST WASHER	PTFE
7	STEM PACKING	PTFE
8	STEM	ASTM A276 316
9	THRUST WASHER	TFM 1600
10	GLAND	SS304
11	BELLEVILLE WASHER	SS304 CSP
12	LOCK SADDLE	SS304
13	STEM NUT	SS304
14	HANDLE WASHER	SS304
15	HANDLE	SS304
16	HANDLE SLEEVE	VINYL
17	STOP PIN & NUT	SS304
18	O-RING	VITON
19	2" BALL SUPPORT GASKET	PTFE



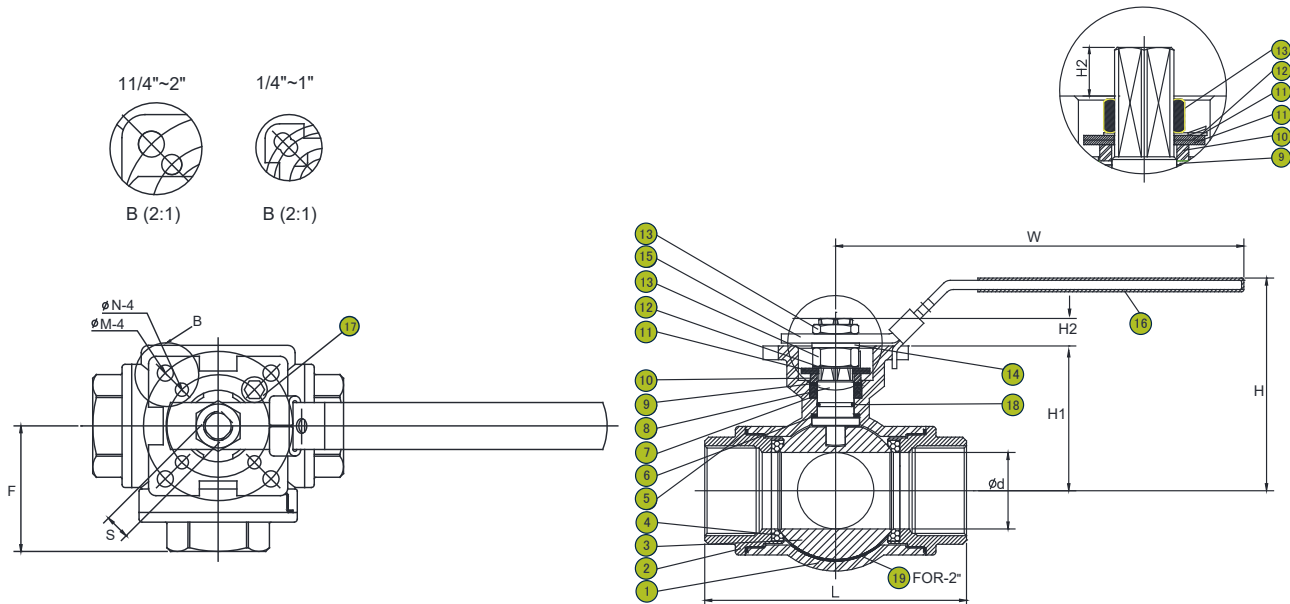
1

DIE ERSTE reserves the right to change product design and specifications without notice. Copyright © 2020 by DIE ERSTE INDUSTRY CO., LTD.

DIRECT MOUNT 3-WAY FULL/STANDARD PORT BALL VALVE

Model Series M5(a)

SIL 3 Capable



Dimensions - Standard Port (mm):

SIZE	d	L	H	W	S	H1	H2	M	N	F	ISO 5211	Torque N-m	Torque lbs-in
1/4	8	11	75.7	68	131	9	36.8	8.2	6	6	F03 / F04	4	33
3/8"	10	11	75.7	68	131	9	36.8	8.2	6	6	F03 / F04	4	33
1/2"	15	12.5	75.7	68	131	9	36.8	8.2	6	6	F03 / F04	4	33
3/4"	20	16	86.6	74	131	9	44.1	9.0	6	6	F03 / F04	5	50
1"	25	20	103.0	94	184	11	55.1	11.5	7	6	F04 / F05	9	90
1-1/4"	32	25	118.2	100	184	11	60.7	11.5	7	6	F04 / F05	17	170
1-1/2"	38	32	125.8	114	227	14	75.2	15.1	9	7	F05 / F07	22	220
2"	50	38	149.0	123	227	14	84.4	15.1	9	7	F05 / F07	38	380

Dimensions - Full Port (mm):

SIZE	d	L	H	W	S	H1	H2	M	N	F	ISO 5211	Torque N-m	Torque lbs-in
1/4	8	11	75.7	68	131	9	36.8	8.2	6	6	F03 / F04	4	33
3/8"	10	11	75.7	68	131	9	36.8	8.2	6	6	F03 / F04	4	33
1/2"	15	16	86.6	74	131	9	44.1	9.0	6	6	F03 / F04	5	50
3/4"	20	20	103.0	94	184	11	55.1	11.5	6	7	F04 / F05	9	90
1"	25	25	118.2	100	184	11	60.7	11.5	6	7	F04 / F05	17	170
1-1/4"	32	32	125.8	114	227	14	75.2	15.1	7	9	F05 / F07	22	220
1-1/2"	38	38	149.0	123	227	14	84.4	15.1	7	9	F05 / F07	38	380
2"	50	50	171.2	138	268	17	94.6	18.0	9	11	F07 / F10	60	600

Note: Torque measured at ambient temperature with no loading; safety factor is not included.