

# DIRECT MOUNT 4-SEATED 3-WAY FULL PORT BALL VALVE

## Series M4(b)

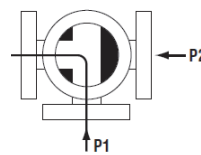
- **Body Material**  
ASTM CF8M, DIN 1.4408
- **Size Range**  
1/2" - 4" (DN15-DN100)
- **Pressure Rating**  
1000 PSI, DIN PN63
- **End Connection**  
Buttweld  
Socketweld  
Female pipe thread to NPT, DIN259/2999, and BS standards
- **Temperature Range**  
-4°F to 350°F (-20°C to 180°C) with PTFE seats
- **Features**
  - Direct-mounting of actuators
  - Available in L/T/X-port.
  - Floating design for size 1/2" - 2 1/2" (DN15-DN65)
  - Trunnion design for size 3" - 4" (DN80-DN100)



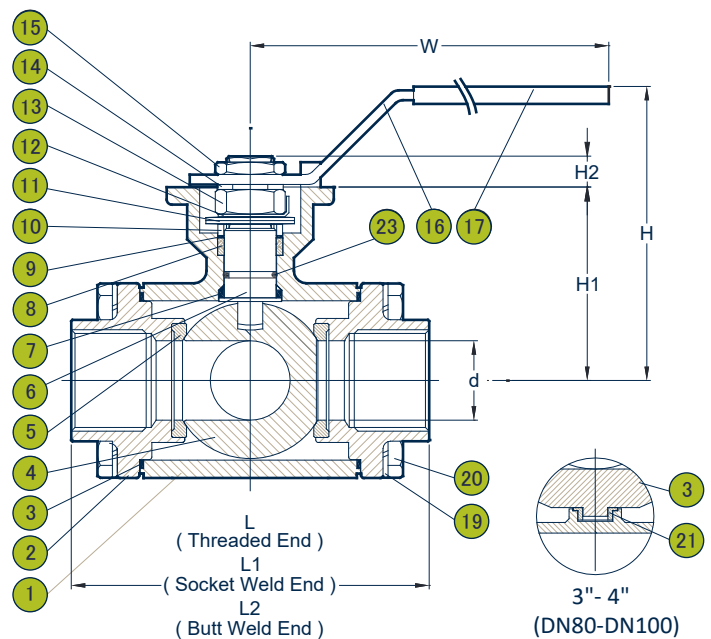
**Application Limitation (Floating Design)**  
Referring to below diagram, there is a limitation to the differential pressure between flow P2 and P1. Where  $P2 > P1$ , leakage from P2 to P1 could occur. The same logic follows for other L/T flow patterns.

Material List		
No.	PARTS NAME	MATERIALS
1	BODY	ASTM A351 CF8M
2	CAP	ASTM A351 CF8M
3	BODY SEAL	PTFE
4	BALL	ASTM A351 CF8M
5	BALL SEAT	PTFE
6	STEM	SS316
7	THRUST WASHER	PTFE
8	STEM PACKING	PTFE
9	UPPER THRUST WASHER	PTFE + 25% G.F.
10	GLAND	SS304
11	BELLEVILLE WASHER	SS410
12	LOCK SADDLE	SS304
13	STEM NUT	SS304
14	HANDLE WASHER	SS304
15	HANDLE NUT	SS304
16	HANDLE	SS304
16-1	HANDLE PIPE	IRON
17	HANDLE SLEEVE	VINYL
18	STOP PIN	SS304
19	BOLT WASHER	SS304
20	BODY BOLT	SS304
21	BALL BUSHING	PTFE
22	HANDLE ADAPTOR	ASTM A351 CF8
23	O-RING	VITON

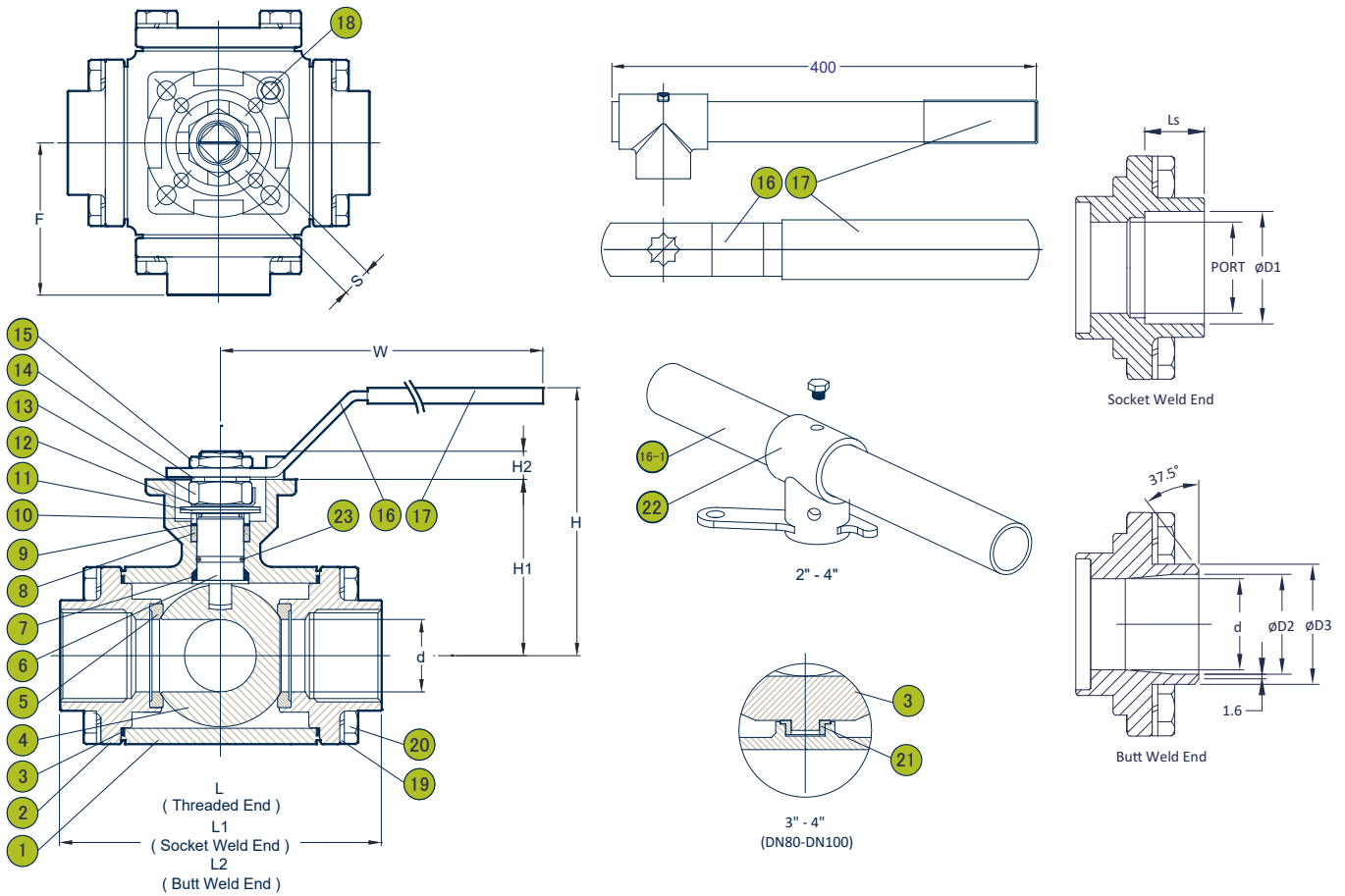
\* Enclosed is a condensed table. For complete options, contact DIE ERSTE directly.



TURN PORT	0°	90°	180°	270°
	L			
T				



**DIRECT MOUNT 4-SEATED 3-WAY  
FULL PORT BALL VALVE  
Series M4(b)**



DIE ERSTE reserves the right to change product design and specifications without notice. Copyright © 2020 by DIE ERSTE INDUSTRY CO., LTD. Series M4(b) VA.3

**Dimensions inch/mm**

Size Inch DN	d	L	L1	L2	H	W	S	H1	H2	F	Ls	D1	D2	D3	ISO 5211	Torque in.lbs N.m	Weight lbs kg
1/2"	0.63	3.78	3.78	3.78	3.50	7.34	0.35	1.88	0.35	1.89	0.39	0.86	0.63	0.84	F04	87	3.79
15	16	96	96	96	89	186.5	9	47.8	9	48	10	21.8	16	21.3	F04	9.8	1.72
3/4"	0.79	4.21	4.21	4.21	3.86	8.58	0.43	2.29	0.43	2.11	0.51	1.08	0.82	1.05	F05	156	5.47
20	20	107	107	107	98	218	11	58.2	11	53.5	13	27.4	20.9	26.7	F05	17.6	2.48
1"	0.98	4.96	4.96	4.96	4.02	8.58	0.43	2.52	0.45	2.48	0.51	1.34	1.05	1.31	F05	262	8.69
25	25	126	126	126	102	218	11	64	11.5	63	13	34.1	26.6	33.4	F05	29.6	3.94
1 1/4"	1.26	5.24	5.24	5.24	4.67	9.25	0.55	3.11	0.60	2.62	0.51	1.68	1.38	1.66	F05 F07	494	11.64
32	32	133	133	133	118.5	235	14	79	15.2	66.5	13	42.7	35	42.2	F05 F07	55.8	5.28
1 1/2"	1.50	5.94	5.94	5.94	5.00	9.25	0.55	3.48	0.56	2.97	0.51	1.93	1.61	1.90	F05 F07	694	18.06
40	38	151	151	151	127	235	14	88.5	14.3	75.5	13	49	40.9	48.3	F05 F07	78.4	8.19
2"	1.97	6.54	6.54	6.54	6.35	9.92	0.67	4.17	0.70	3.27	0.63	2.41	2.07	2.37	F07 F10	1425	21.94
50	50	166	166	166	161.4	252	17	105.8	17.8	83	16	61.2	52.5	60.3	F07 F10	161	9.95
2 1/2"	2.56	6.89	6.89	7.64	6.80	11.89	0.67	4.62	0.69	3.44	0.63	3.03	2.47	2.87	F07 F10	1991	31.64
65	65	175	175	194	172.8	302	17	117.3	17.5	87.5	16	77	62.7	73	F07 F10	225	14.35
3"	2.99	8.27	8.27	8.16	7.10	11.89	0.67	5.04	0.69	4.13	0.63	3.55	3.07	3.50	F07 F10	2168	47.40
80	76	210	210	207.2	180.4	302	17	128	17.5	105	16	90.2	77.9	88.9	F07 F10	245	21.5
4"	3.94	11.24	11.24	-	8.03	23.62	1.06	6.26	1.18	5.62	0.87	4.54	-	-	F12	2655	79.37
100	100	285.6	285.6	-	204	600	27	159	30	142.8	22	115.3	-	-	F12	300	36

Note: Torque measured at ambient temperature with no loading; safety factor is not included.