

## WAFER TYPE HIGH PRESSURE RATING BUTTERFLY VALVE

### Model : Series 81-WH Butterfly Valve

WAFER TYPE HIGH PRESSURE RATING BUTTERFLY VALVE

FLUID APPLICATION: WATER, SEAWATER,

AIR, OIL, POWDER, GAS ETC.

FACE-TO-FACE ACC. TO ISO 5752 SHORT PATTERN

ACTUATOR MOUNTING PAD FLANGE ACC. TO ISO 5211

FLANGE REQUIREMENTS:

ANSI 150/300, JIS 10K / 16K /20K, DIN PN10 / 16 /20

RATING:

2"~ 8"(DN50~DN200): 20 BAR (300PSI)

10"~16"(DN250~DN400): 16 BAR (240PSI)

18"~24"(DN450~DN600): 14 BAR (200PSI)

SIZE RANGE: 2"-24"



### Materials List:

NO.	NAME	SPECIFICATION		REMARK
		JIS	ASTM	
1	BODY	FC20	A126-B	
		FCD 45	A-536-65-45-12	
2	DISC	FCD 45	A-536-65-45-12	
		SCS 13	A351 CF8	
		SCS 14	A351 CF8M	
3	UPPER STEM	SUS 410	A182 F410	
4	LOWER STEP	SUS 304	A182 F304	
		SUS 316	A182 F316	
5	SEAT	NBR (NITRILE)		-10°C ~ 80°C ( 14°F ~ 176°F )
		EPDM		-20°C ~ 120°C ( -4°F ~ 248°F )
		NEOPRENE (CR)		0°C ~ 80°C ( 32°F ~ 176°F )
		SILICON		-20°C ~ 204°C ( -4°F ~ 400°F )
		HYPALON (CSM)		-20°C ~ 135°C ( -4°F ~ 275°F )
		VITON		-18°C ~ 204°C ( -4°F ~ 400°F )
6	PLUG	SCS14	A351 CF8M	
7	RETAINING PIN	SUS304	A182 F304	
8	O-RING HOLDER	S45C		
9	O-RING	NBR (NITRILE)		-10°C ~ 80°C ( 14°F ~ 176°F )
10	WASHER	SS41		

\* NBR SEAT APPLICABLE RANGE -10°C ~ 80°C, WHILE

\* EPDM SEAT IN -20°C ~ 120°C.

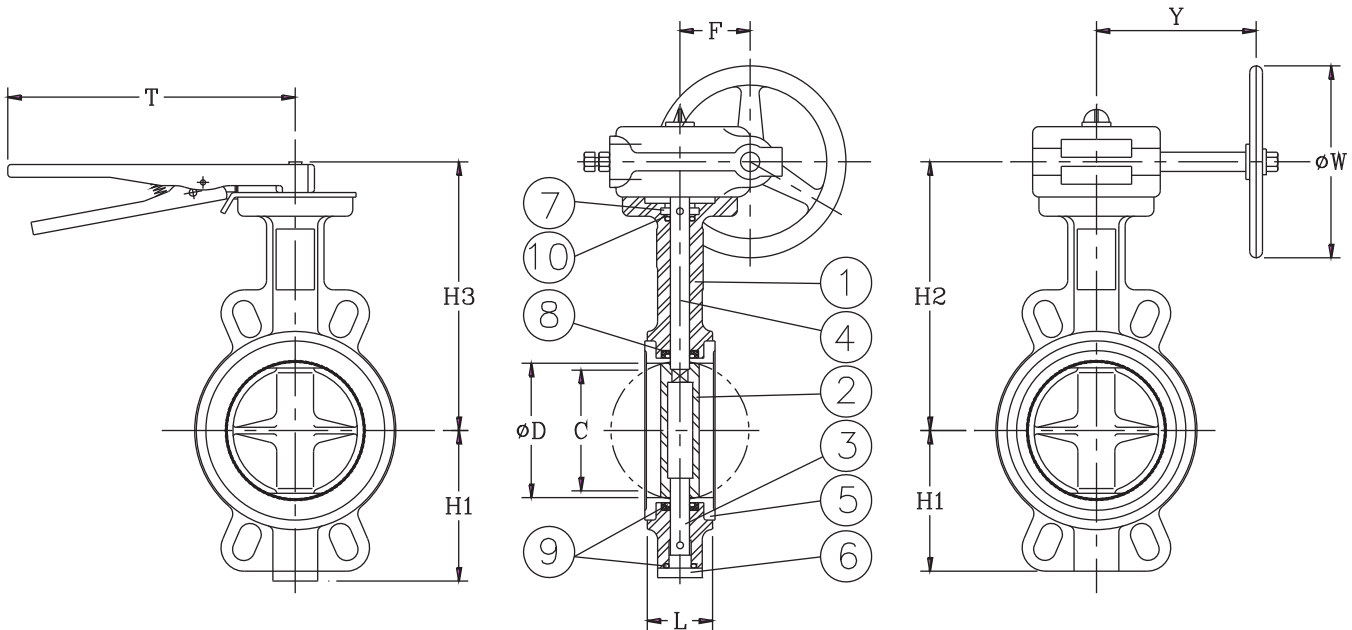
\* UPPER BUSHING, MADE BY NON-CORROSSIVE HEAVY DUTY DELIN, STRONGE ENOUGH TO ABSORB THRUST.

\* STEM, DESIGNED WITH SQUARE CONNECTION TO DRIVE DISC, ARE RETAINED IN THE BODY AND ANTI-FULL-OUT PROVED BY MEANS OF PATENT "Q" TYPE MECHANISM. WITH THE PATENT MECHANISM THE VALVE CAN BE DISASSAMBLED COMPLETELY BY USE A SIMPLE SCREW DRIVER.

\* WARM GEAR, ELECTRIC ACTUATOR, PNEUMATIC ACTUATOR OPERATED BUTTERFLY VALVES ARE AVAILABLE AS REQUESTED.

## WAFER TYPE HIGH PRESSURE RATING BUTTERFLY VALVE

### Model : Series 81-WH Butterfly Valve



#### Dimension List:

Size		L	C	D	H1	H2	H3	F	Y	W	T	Torque NM	ISO 5211
INCH	MM												
2	50	43	42	57	90	169	175	45	125	150	200	37	F07
2-1/2	65	46	54	70	95	181	187	45	125	150	200	43	F07
3	80	46	68	82	108	188	194	45	125	150	200	67	F07
4	100	52	90	104	131	207	213	45	125	150	260	90	F07
5	125	56	114	127	145	223	229	45	125	150	260	150	F07
6	150	56	139	150	165	236	242	45	125	150	260	225	F07
8	200	60	184	194	200	270	277	71	230	250		416	F10
10	250	68	230	240	228	326		95	290	350		672	F10
12	300	78	267	287	261	349		95	290	350		928	F10
14	350	78	333	342	272	340		95	290	350		1330	F14
16	400	102	368	387	310	370		95	290	350		1776	F14
18	450	114	417	436	350	410		95	290	350		1800	F14
20	500	127	471	488	380	470		115	360	350		2250	F16
24	600	154	565	581	430	560		115	360	350		2626	F16

Due to continuous development of the products, DIE ERSTE reserves the right to alter the dimension and information contained in the document as required without notice. For specific performance data and proper material selection, please consult with your DIE ERSTE representatives.

DIE ERSTE INDUSTRY CO., LTD. is an ISO 9001:2015 DIE ERSTE GROUP registered company with operations in Taiwan and China.